

TECHNICAL SPECIFICATION

Wall mounted fixtures FUTURA OVAL



Technical data

- Lamp power: 5W
- Colour temperature: 4000K
- Rated voltage: 230V / 50/60Hz
- Lumens /whole fixture/:600lm
- Power Supply: control gear, DC device – driver, included in the set
- LED type: SMD
- Light source: SAMSUNG
- Colour rendering index: Ra≥80
- Average Lifetime: 30 000h
- Housing: polycarbonate
- Colour of the housing: grey
- Installation: surface mounting
- Protection against dust and moisture: IP54
- Protection against electric shock: I
- Surface requirements: Class F

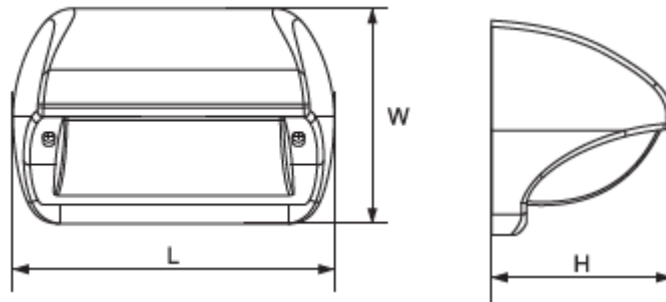
Areas of application

- Exterior Wall Lighting Fixture
- Corridors, Hotels
- Public Buildings
- Educational facilities

Product benefits


- Low power consumption
- Instant light with maximum luminous flux
- Environmentally friendly - no mercury and lead
- No ultraviolet and infrared rays
- Resistant to shock and vibration stable body
- Low heat emission

Variants and dimensions




Watt	LED chip lumens (lm)	Whole fixture lumens (lm)	Colour temp (K)	Colour body	Size (mm)			Catalogue number	Packing (pcs)
					Length	Width	Height		
5W	720	600	4000	grey	210	140	118	91AT3001	1

Energy efficiency





This lighting fixture contains built in led lamps from energy classes.

The lamps in the lighting fixture cannot be changed.



LED





91AT3001

874/2012

Barcodes

Barcode	Catalogue number
3800131190659	91AT3001

Standards

EN 55015

EN 61000-3-2; EN 61000-3-3

EN 61547

EN 60598-1; EN 60598-2-2

